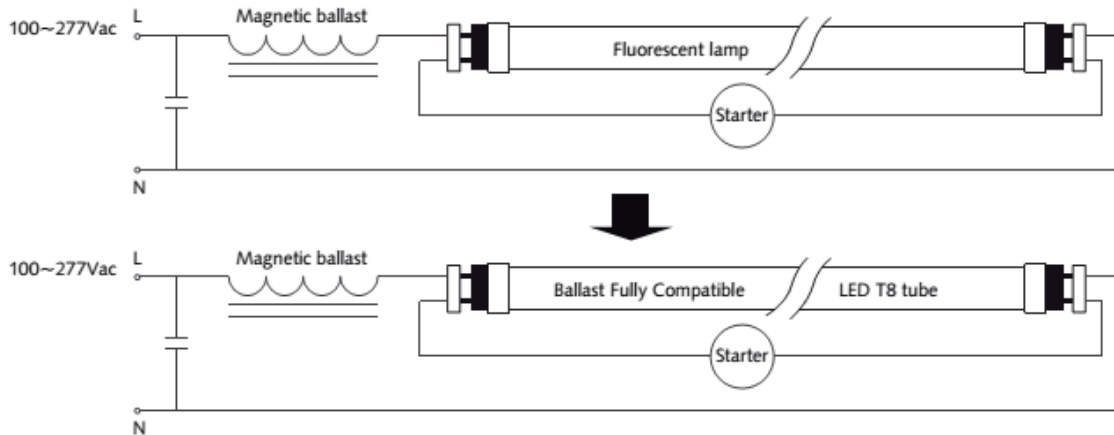
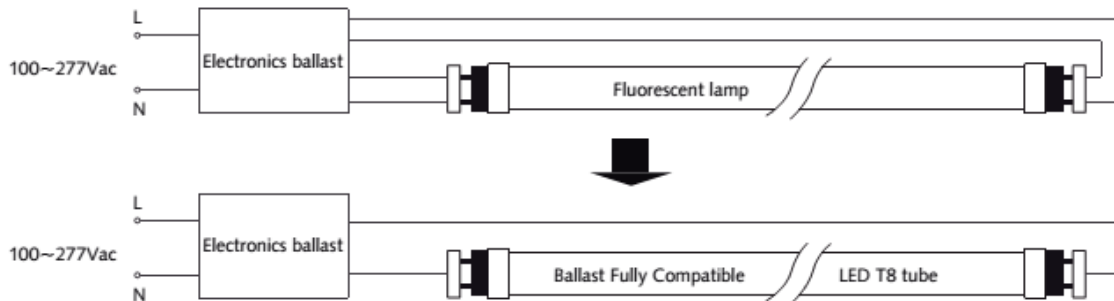


Installation Diagrams

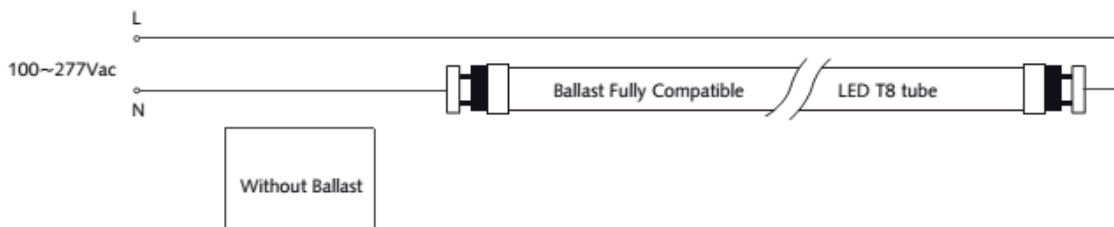
Scenario 1: Magnetic Ballast Circuit



Scenario 2: Electronics Ballast Circuit



Scenario 3: By pass existing ballast in the circuit



THIS LUMINAIRE HAS BEEN MODIFIED TO OPERATE LED LAMPS. DO NOT ATTEMPT TO INSTALL OR OPERATE FLUORESCENT LAMPS IN THIS LUMINAIRE. THIS LABEL MUST APPLIED TO ANY FIXTURE RETROFITTED WITHOUT A BALLAST.

LED TUBE MODEL : CPS-T8-4-18W-UL-C-50, CPS-T8-4-18W-UL-C-40, CPS-T8-4-18W-UL-F-50, CPS-T8-4-18W-UL-F-40

UL LISTED : E474306